

YTONG FLOOR/ROOF PANELS

FLOOR/ROOF SYSTEM

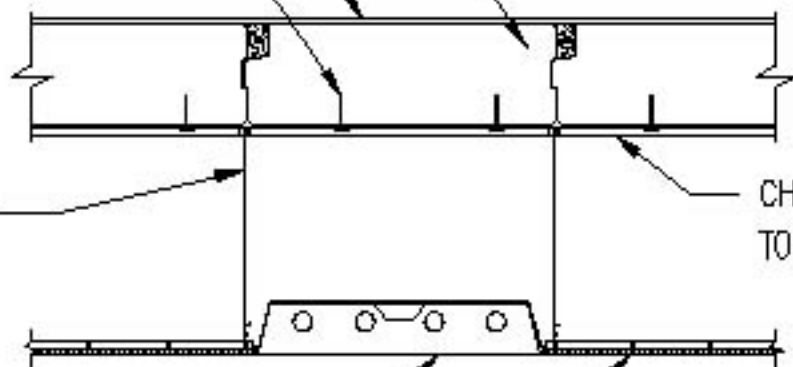
FASTENER BY ENGINEER-  
OF-RECORD

HANGER WIRE

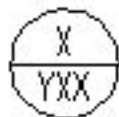
RECESSED LIGHT FIXTURE UNIT

SUSPENDED CEILING

CHANNEL FASTENED  
TO PANEL



## SUSPENDED CEILING



SCALE: 3/4" = 1'-0"