

YTDNG FLOOR/ROOF PANELS

FLOOR/ROOF SYSTEM

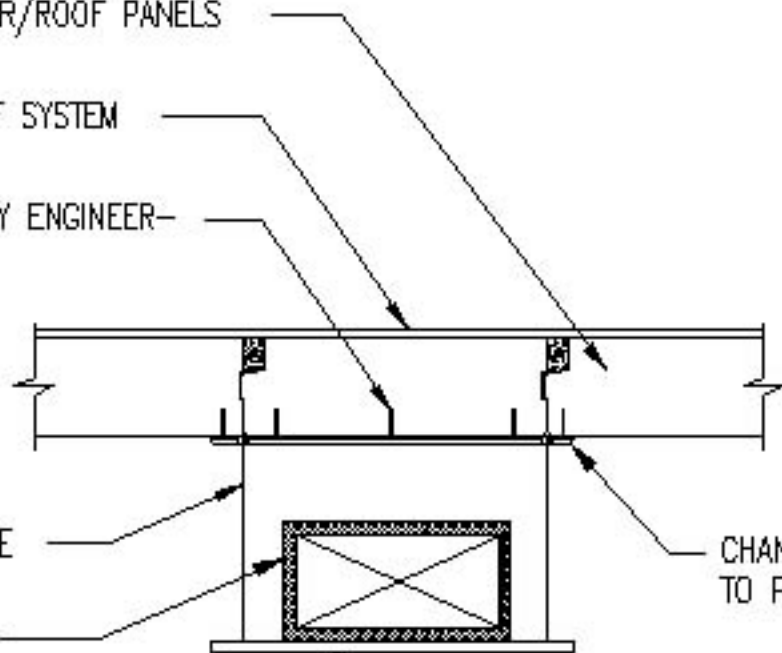
FASTENER BY ENGINEER-  
OF-RECORD

HANGER WIRE

DUCTWORK

CHANNEL SUPPORT

CHANNEL FASTENED  
TO PANEL



## SUSPENDED DUCTWORK

SCALE: 3/4" = 1'-0"