

# LISSMAC

*quality German engineering*



*12' of travel on boom*

*5' telescopic extension*

*400-650lb load capacity*

*16' standard boom height*

## LMK-300T mini-crane

[www.TaylorTradingCo.com](http://www.TaylorTradingCo.com)

Autoclaved Aerated Concrete

**Your total AAC needs supplier**

706-935-TOOL (8665)  
6652 Highway 41 North

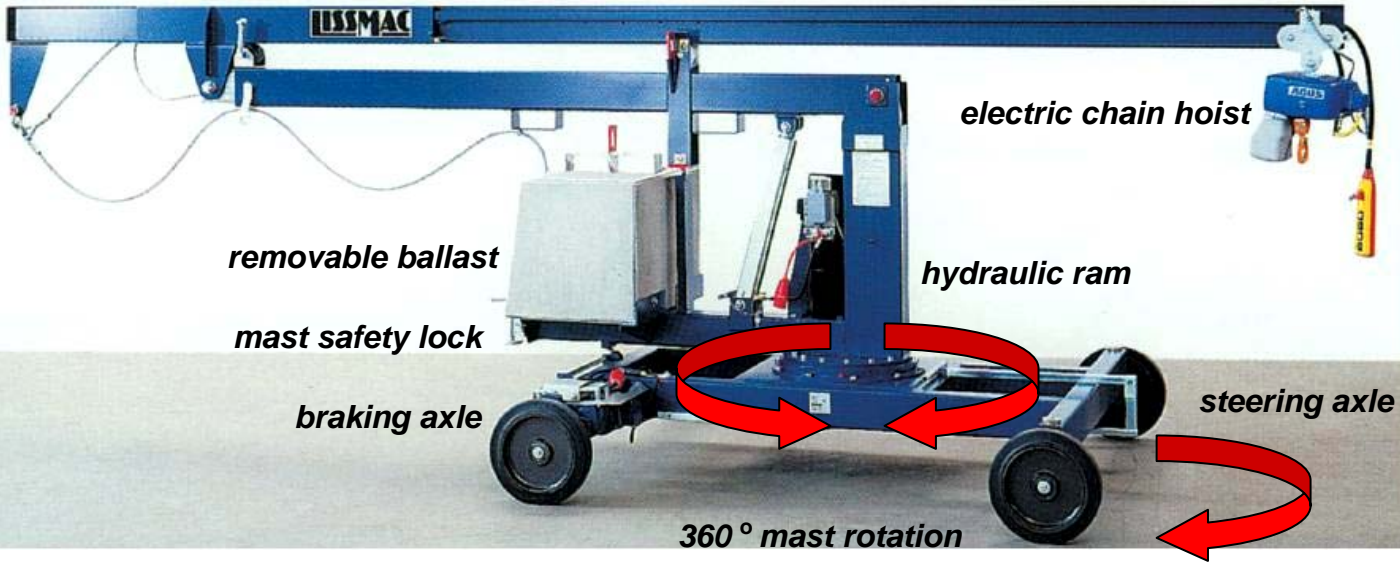
[www.TaylorTradingCo.com](http://www.TaylorTradingCo.com)

706-965-4597 fax  
Ringgold, Georgia 30736

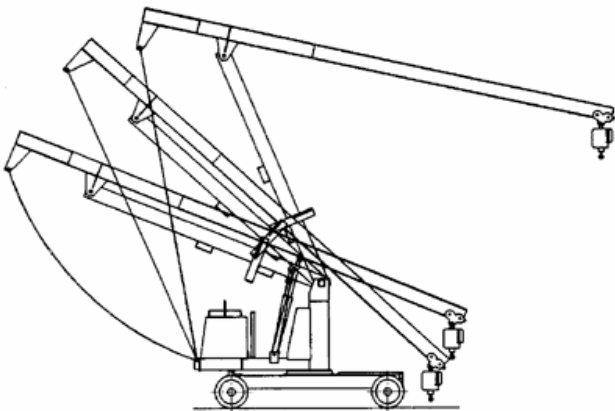
# LISSMAC

quality German engineering

## Features include:



crane weight : 2050 lbs    ballast weight : 500 – 1550 lbs    total weight : 2550 – 3600 lbs



These machines are practically designed for ease of transportation. They fold up and lock into a more compact size which will fit through an 8' x 8' garage door. They come with forklift slots and crane hooks for picking them up to be moved.

