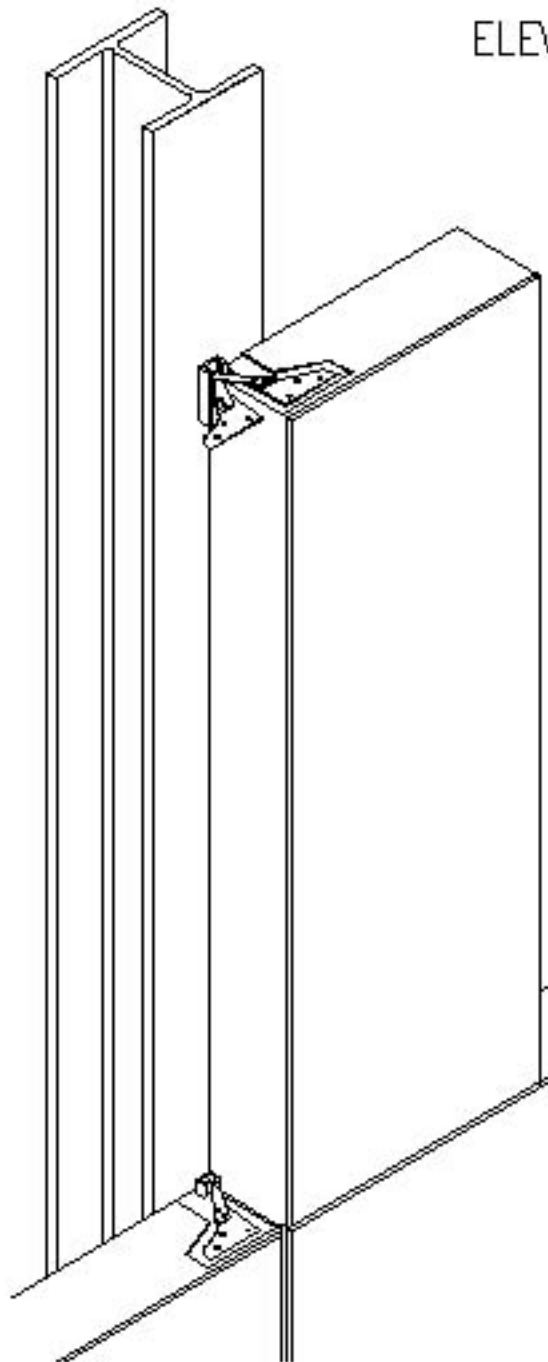
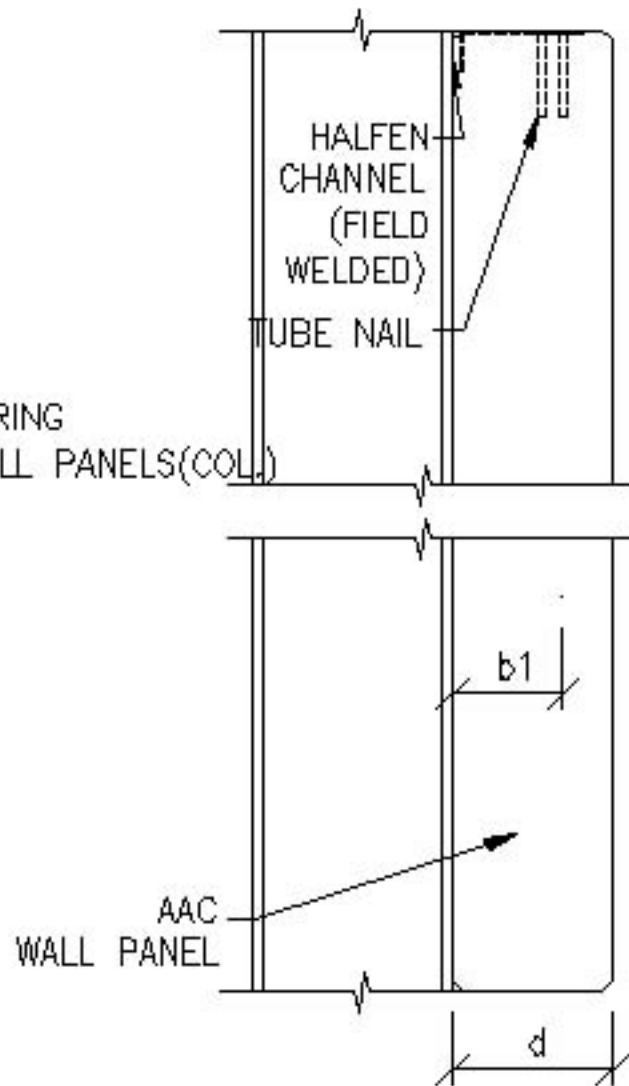


ELEVATION



Allowable Tension(lb) For Each Connector/Anchor					
Anchor Type	Panel Thickness	Channel #	b1	AAC-3.5	AAC-5.0
71-817	6" & 7"	38/17	4"	275	320
70-817	$\geq 7"$	38/17	5-3/4"	419	496

ANCHORING OF AAC LOAD-BEARING VER. WALL PANELS @ INTERMEDIATE COLUMNS

1"=1'-0"