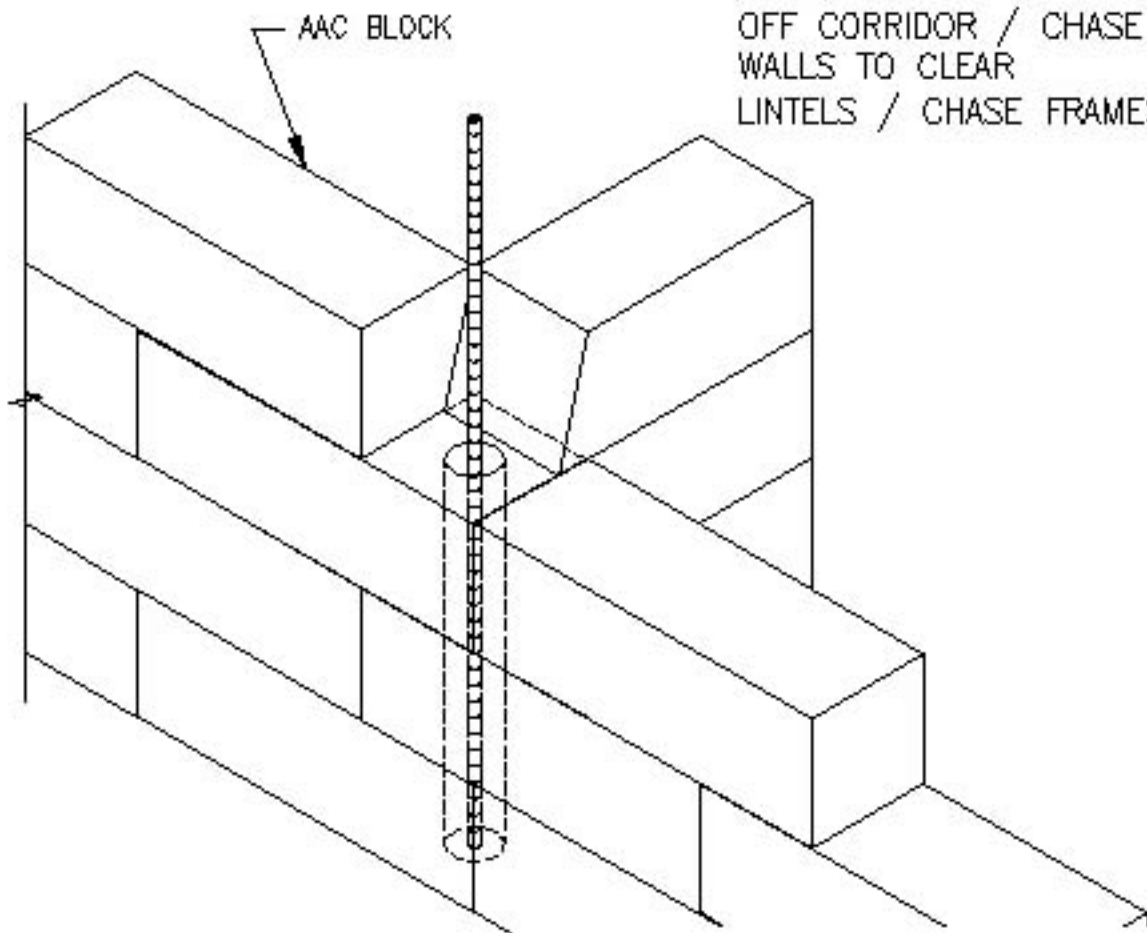


NOTE: SET GROUT CELL
OFF CORRIDOR / CHASE DEMISING
WALLS TO CLEAR
LINTELS / CHASE FRAMES.



TYPICAL CORNER / INTERSECTION DETAIL
1"=1'-0"