

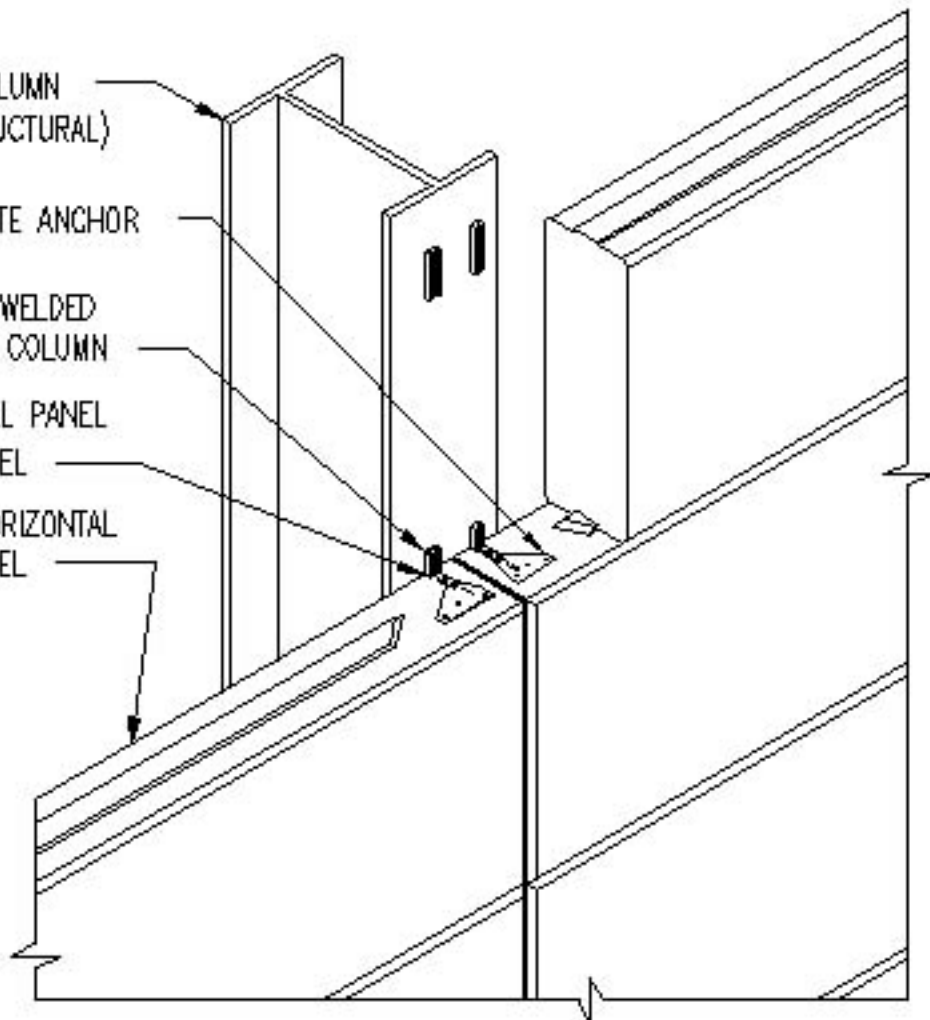
STEEL COLUMN  
(SEE STRUCTURAL)

WALL PLATE ANCHOR

CHANNEL WELDED  
TO STEEL COLUMN

ROUT WALL PANEL  
AT CHANNEL

YONG HORIZONTAL  
WALL PANEL



HORIZ. WALL PANEL AT  
STEEL COLUMN

SCALE: 3/4" = 1'-0"