

CHANNEL ANCHOR  
WELDED TO STEEL  
"I" SECTION

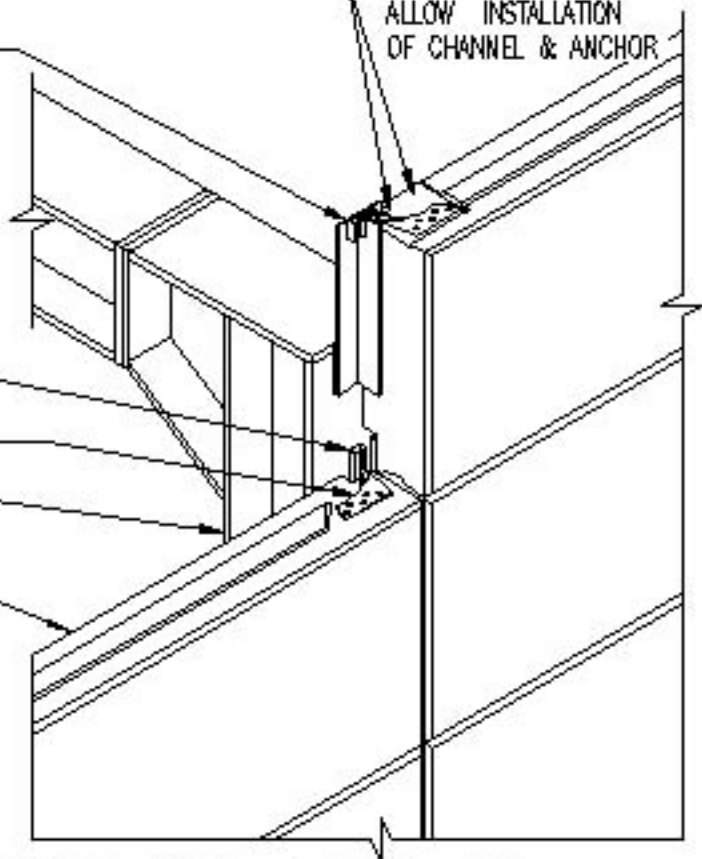
FIELD RUIT PANEL TO  
ALLOW INSTALLATION  
OF CHANNEL & ANCHOR

CHANNEL WELDED TO  
STEEL COLUMN

WALL PLATE ANCHOR

STEEL COLUMN

YTONG HORIZONTAL  
WALL PANEL



HORIZ. WALL PANEL AT  
STEEL COLUMN

SCALE: 3/4" = 1'-0"