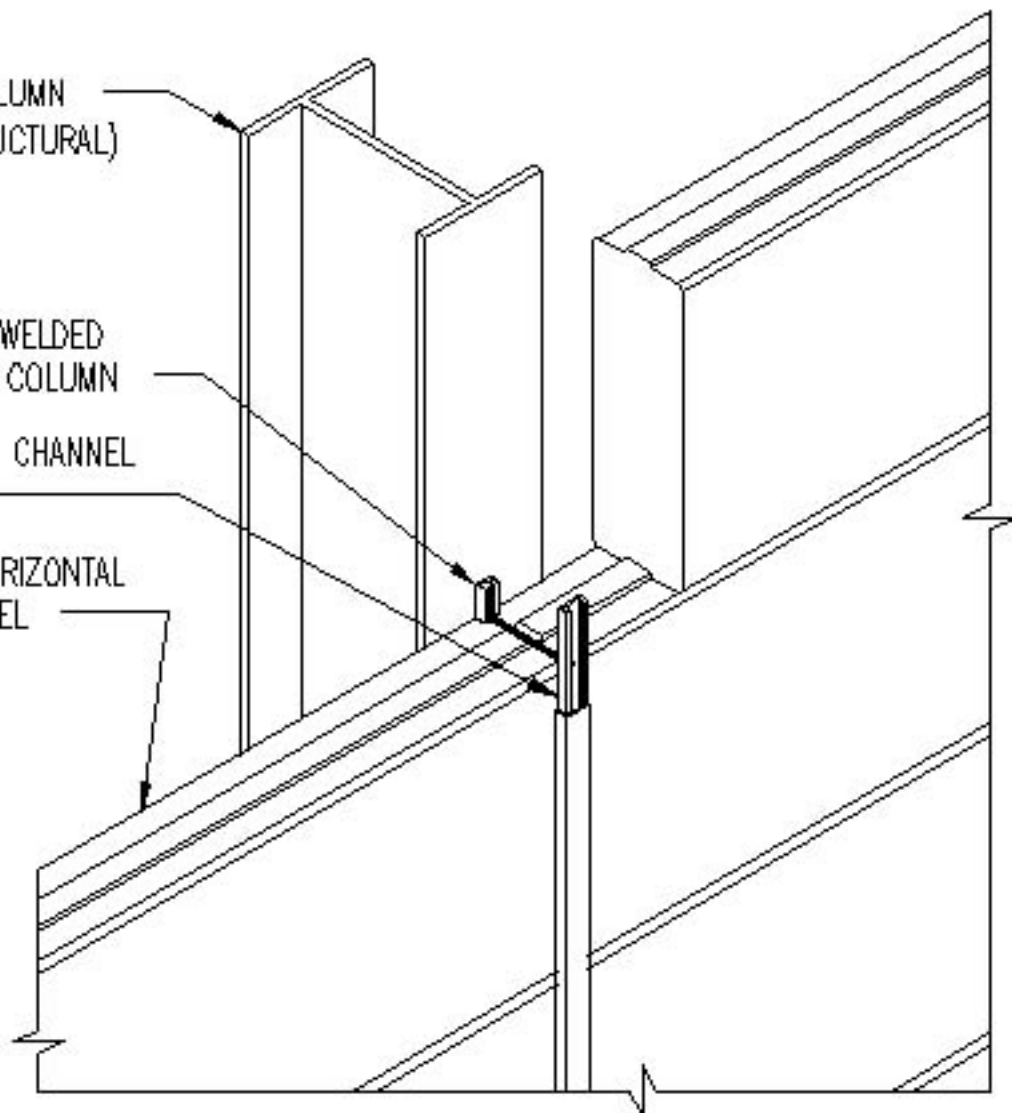


STEEL COLUMN
(SEE STRUCTURAL)

CHANNEL WELDED
TO STEEL COLUMN

ALUMINUM CHANNEL
CLAMP

YTONG HORIZONTAL
WALL PANEL



HORIZ. WALL PANEL AT
STEEL COLUMN

SCALE: $3/4" = 1'-0"$