

STEEL STRUCTURE

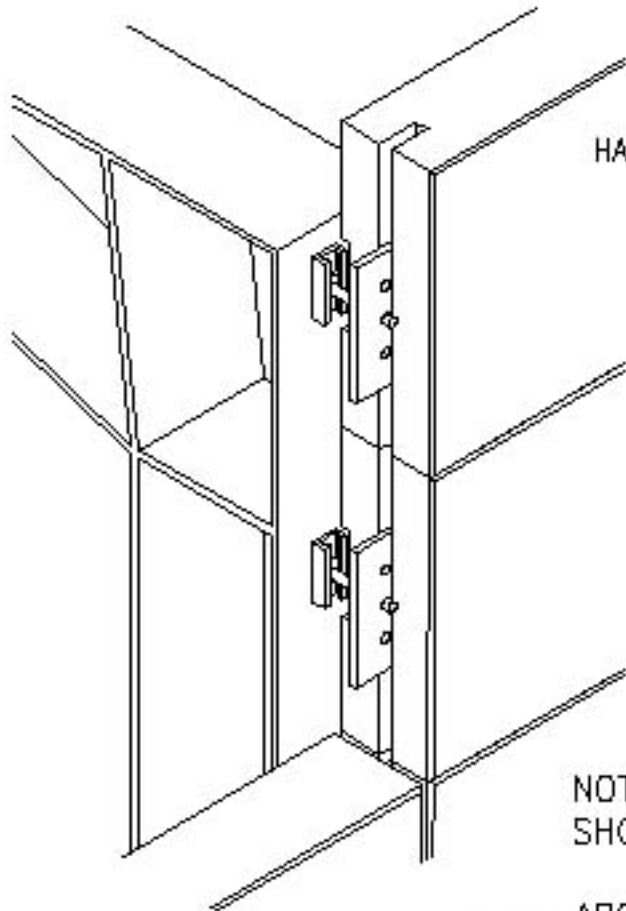
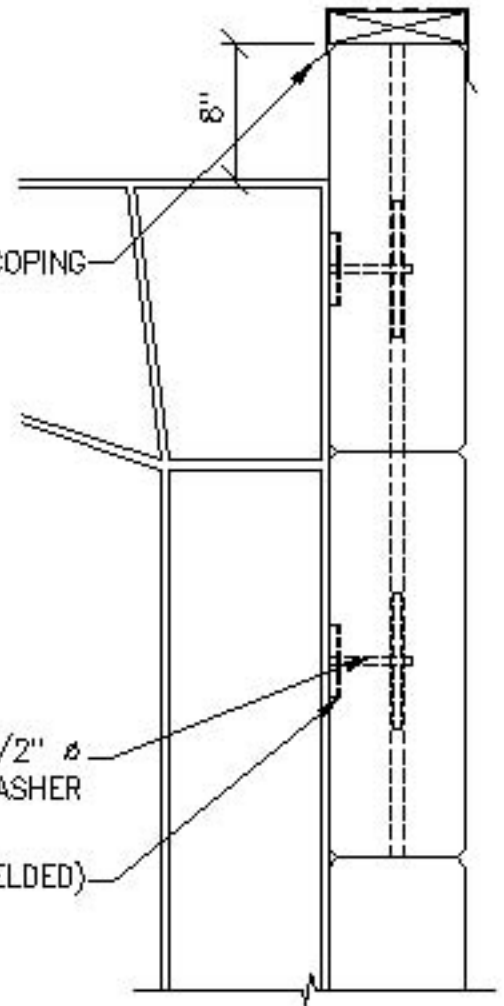
FLASHING OR COPING

ACRYLIC SEALANT W/  
BACKER ROD

METAL PLATE 4"X8"X6"  
W/ 9/16" Ø HOLE

ALLEN BOLT  $\geq 1/2"$  Ø  
W/ LONG NUT & WASHER

HALFEN CHANNEL (FIELD WELDED)

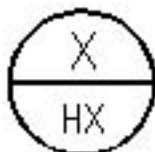


Allowable Tension (lbs) per 2'-0" length					
Anchor Type	Pane Thickness	Channel d	#	$1\frac{1}{2}"$	
Anchor P1	$\geq 5"$	38/17			AAC-3.5 AAC-5.0
				$d/2$	458 660
					< 229 < 330

NOTE: FLASHING AND ROOFING DETAILS ARE NOT SHOWN.

COORDINATE WITH PROJECT

ARCHITECT-ENGINEER  
INTERMEDIATE ANCHORING OF  
FOR THE REQUIRED DETAILS.  
HORIZONTAL WALL PANEL



1"=1'-0"

(DTL#21-207)