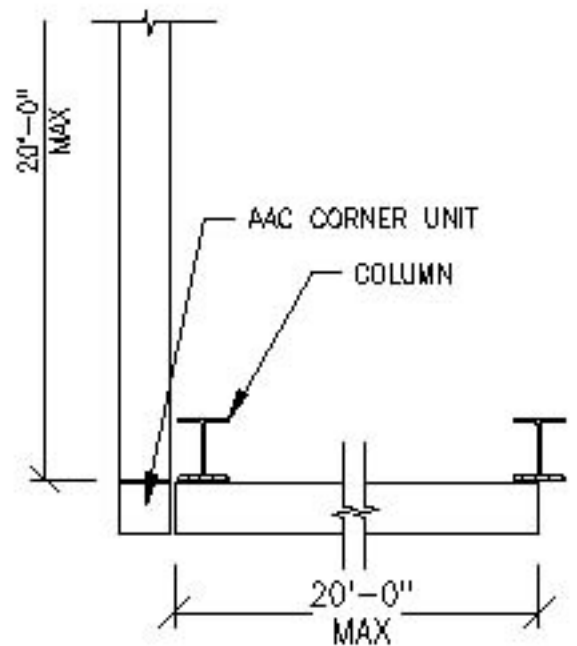
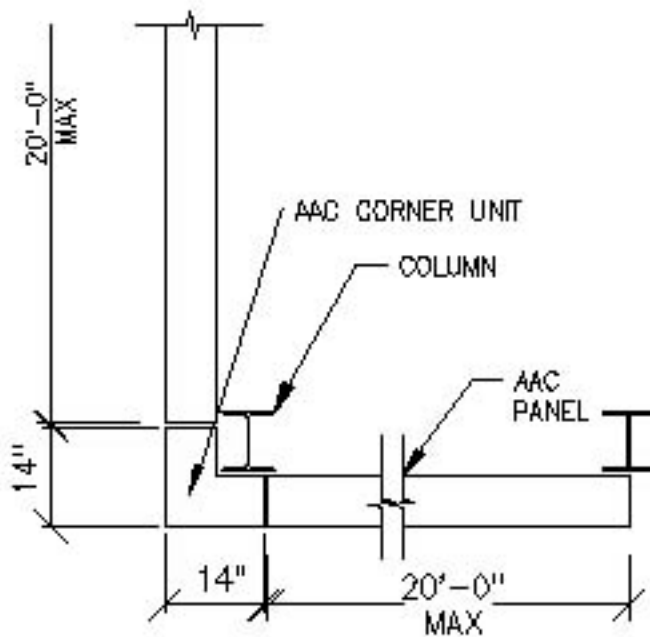


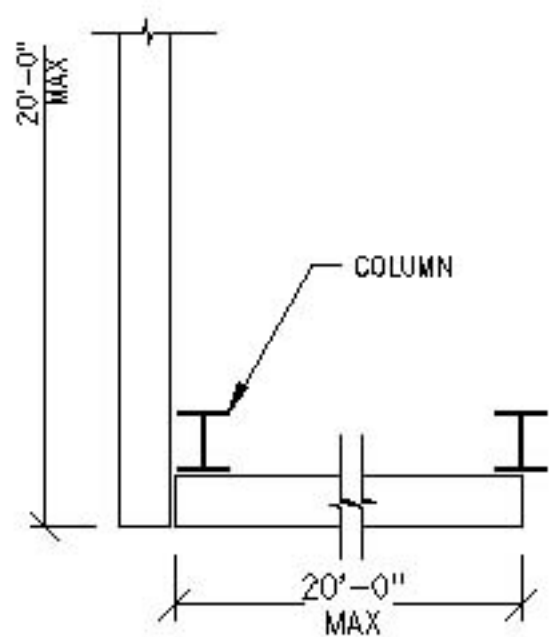
BETWEEN COLUMNS



WITH SQUARE CORNER UNIT



WITH "L" CORNER UNIT



LAPPED PANEL AT CORNER

SUGGESTED HORIZONTAL PANEL LAYOUT